

INSTRUCTION MANUAL

---

# CORNET BAR STOOL



By *JONAS TRAMPEDACH*

**HAY**

## INTRODUCTION

---

Jonas Trampdach's Cornet barstool is a classic barstool using an innovative steel tube technique inspired by bicycle racks. The round solid oak seat rests on a slender steel base, creating an interesting balance of proportions and profiles.

The stools come in two different heights, with choice of wood finishes for the seat and chrome or powder coated colour options for the legs.

The stools are suitable for bars, islands and worktops in a number of private and public settings.

## CARE AND MAINTENANCE

---

### CAUTION

With a little care you can prolong the life of your furniture. Follow the instructions for the materials of your specific product to make sure that it stays in the best shape for as long as possible.

The information below is only intended as a general guideline. For more information on how to remove specific stains, please enquire where you bought the furniture.

- Always remove stains quickly before they can do any permanent damage to the furniture.
- Avoid placing the furniture in direct sunlight or near a strong heat source to reduce changes. As wood is a natural material, it will change in colour and will patinate over time.
- Avoid improper use such as tilting the seats on their back legs or standing on it.
- Be careful not to scratch or damage the surface with sharp objects.
- Avoid partially covering the surface, for example with cushions or skins, as colour variances may appear.
- Check the status of the gliders frequently and if worn down, contact your local retailer to buy replacements. The durability of the gliders will depend on the surface the chair is placed on.

### POWDER COATED OR CHROMED STEEL

- Wipe with a clean cloth wrung in water or in a solution of water and a neutral detergent. Remove soap residue immediately using a clean, dry cloth.
- Avoid using scouring cream or scouring pads, as they may scratch the surface.
- White spirit (mineral spirit) can be used to carefully remove stains from chromed surfaces.

### LACQUERED OR STAINED WOOD

- Wipe with a clean cloth wrung in water or in a solution of water and a neutral detergent. Remove soap residue immediately using a clean, dry cloth.
- If the surface is scratched or appears matt, use a care product specifically suited to lacquered or stained wood.
- Avoid using detergents containing silicone, as they seal the stain in and make subsequent repairs more difficult.
- Avoid using scouring cream or scouring pads, as they may scratch the surface.

## CARE AND MAINTENANCE

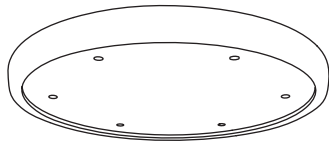
---

### OILED WOOD

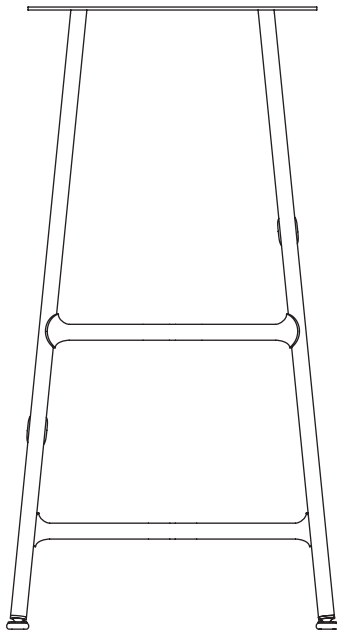
- Wipe with a clean, dry cloth. If the surface is dirty, wipe with a clean cloth wrung in water or in a solution of water and a neutral detergent or soap flakes. Remove any soap residue immediately using a clean, dry cloth.
- Never use soft soap or solvents such as spirit, turpentine or acetone.
- Avoid using scouring cream or scouring pads, as they may scratch the surface.
- If the surface is scratched or appears matt, make sure to use an oil hardening care product specifically designed to maintain oiled wooden surfaces.
- Clean the furniture thoroughly (12 hours) before applying the oil to all surfaces. To ensure optimal absorbency, gently sand down the wood using fine-grit sandpaper (No.180 or 240), always sanding in the direction of the grain. Apply the oil generously using a clean cloth or a sponge, always applying in the direction of the grain. Do not pour the oil directly on the surface.
- When the surface is glistening, leave the oil on for around two hours until fully absorbed. Remove any excess oil with a clean lint-free cloth. Leave the furniture to dry overnight (min. 12 hours) and avoid placing anything on the surface before it is completely dry.
- If the grain of the wood rises after oiling, gently sand down the wood using fine-grit sandpaper (No. 180 or 240), always sanding in the direction of the grain.
- To optimally maintain the naturally beautiful appearance of the wood, we recommend you regularly treat the furniture's surface with oil whenever it appears dull, scratched or as needed.

# PARTS

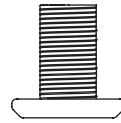
Make sure that all parts are included.



A x 1



B x 1



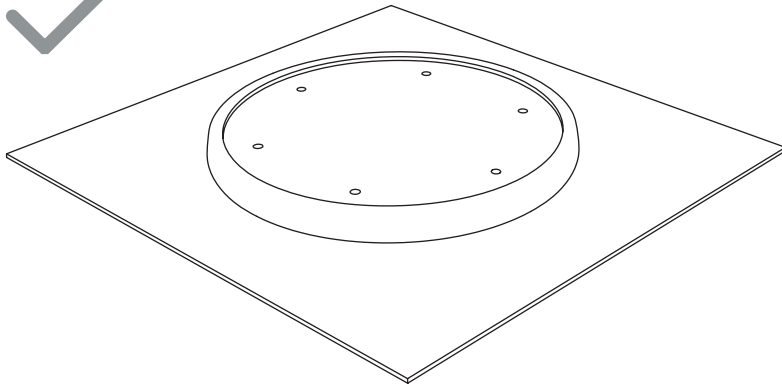
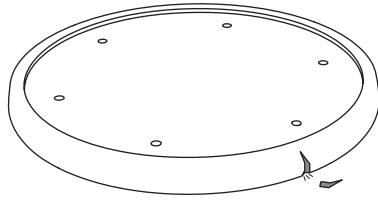
C x 6



Allen key

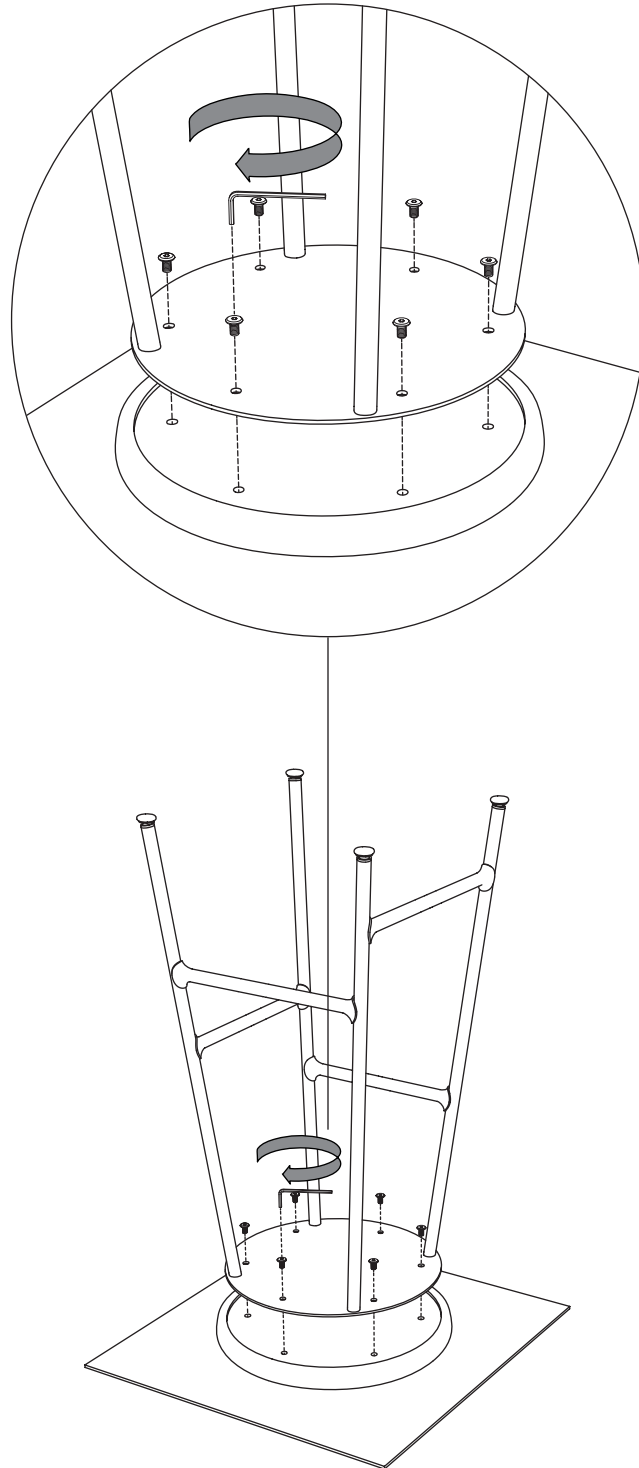
1.

While assembling, keep the seat inside the cardboard box in order to protect it from scratches etc.



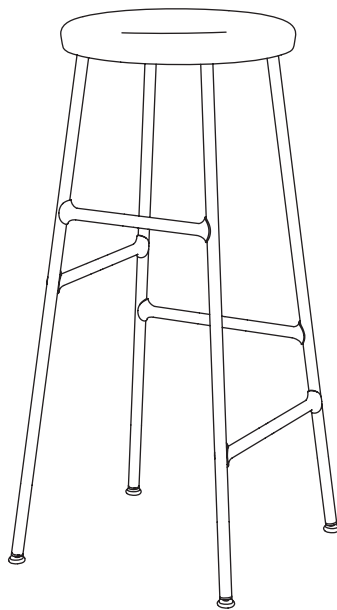
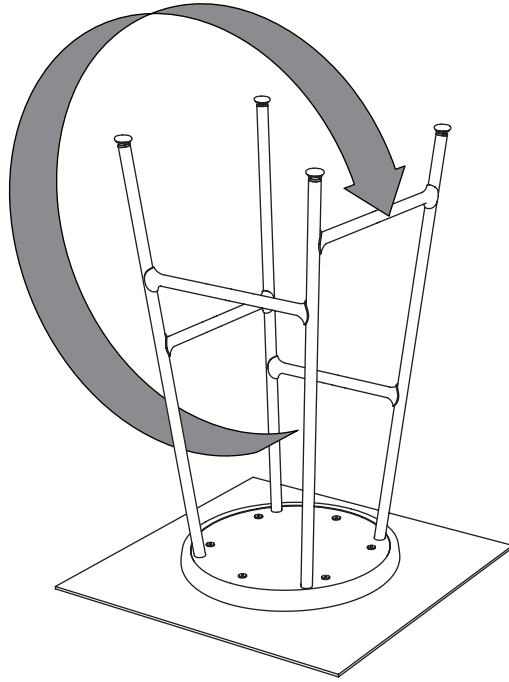
2.

Place the seat upside down, with the holes facing upwards. Fasten the seat to the frame by inserting part C through part B and into part A, as indicated. Tighten the screws with the Allen key. We recommend retightening the screws after one month of use and whenever needed.



3.

Lift the stool up and turn it 180° into a standing position. Make sure all screws are completely tightened.





Havnen 1 8700 Horsens Denmark  
+45 4282 0282 / hay@hay.com

**HAY**

ITEM NO. 706319



18012019