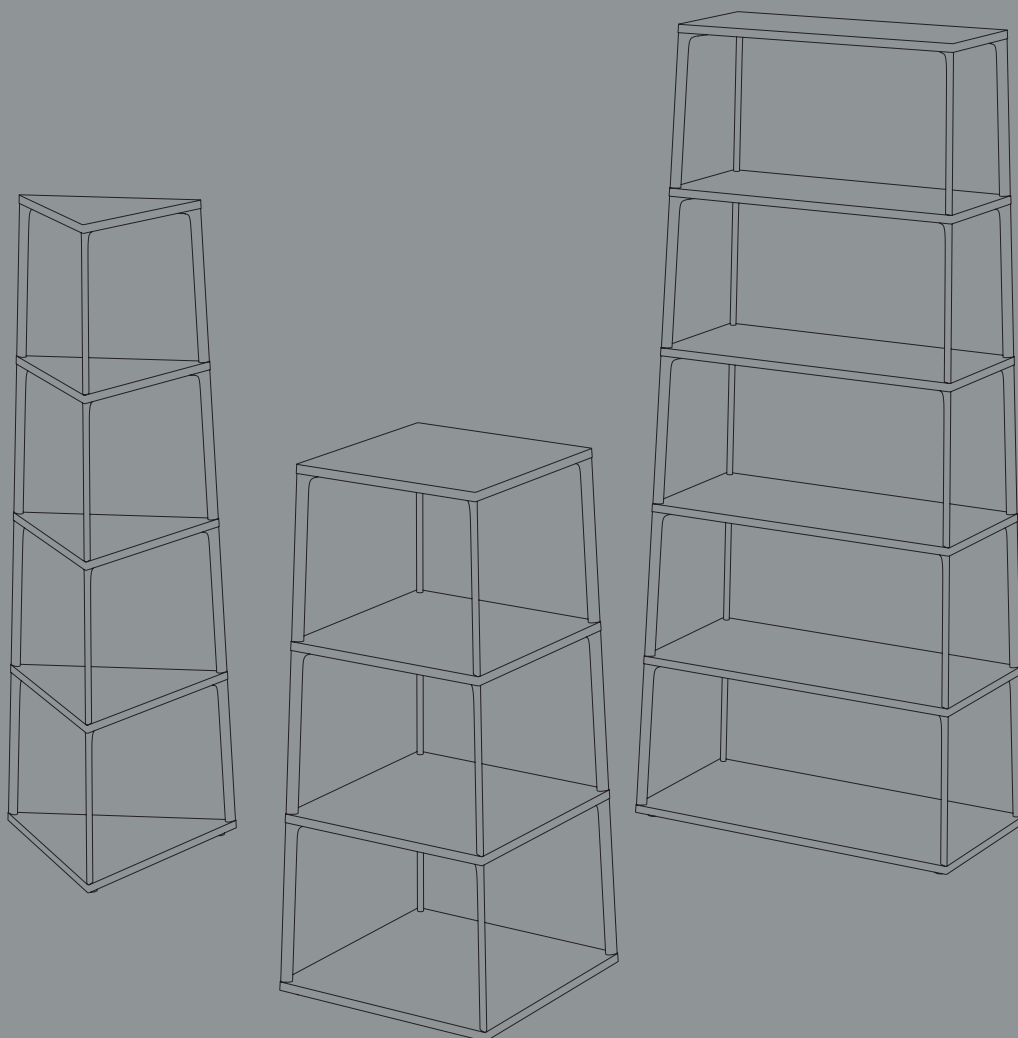


INSTRUCTION MANUAL

---

# EIFFEL SHELF



*By Depping & Jørgensen*

**HAY**

## INTRODUCTION

---

Based on a simple layering principal, Depping & Jørgensen have created a flexible and multifunctional range of shelve units and tables using cast aluminium leg modules with powder-coated MDF square, round or rectangular plates in different sizes. The shelving systems and tables are available in diverse colours, heights and shapes, making them suitable for use in a wide range of private and public contexts.

## CARE AND MAINTENANCE

---

### CAUTION

With a little care you can prolong the life of your furniture. Follow the instructions for the materials of your specific product to make sure that it stays in the best shape for as long as possible.

The information below is only intended as a general guideline. For more information on how to remove specific stains, please enquire where you bought the furniture.

- Always remove stains quickly before they can do any permanent damage to the furniture.

- Avoid placing the furniture in direct sunlight or near a strong heat source to reduce changes. The powder coated surface can change in colour and patinate over time.

- When moving your furniture, make sure you empty it completely beforehand, lifting it rather than pulling or pushing it to avoid damaging the floor, legs and mountings.

- Tighten up the screws after one to two months' use and whenever required.

- Use coasters under damp, hot or coloured objects to avoid permanent stains.

- Be careful not to scratch or damage the surface with sharp objects.

- Avoid partially covering the surface, for example with tablecloths, cushions, or place mats, as colour variances may appear.

## CARE AND MAINTENANCE

---

### POWDER COATED ALUMINIUM

- Wipe with a clean cloth wrung in water or in a solution of water and a neutral detergent. Remove soap residue immediately using a clean, dry cloth.

- Do not use solvents as they may have an adverse effect on the coating.

- Avoid using scouring cream or scouring pads, as they may scratch the surface.

### POWDER COATED MDF

- Wipe with a clean cloth wrung in water or in a solution of water and a neutral detergent. Remove soap residue immediately using a clean, dry cloth.

- Do not use solvents as they may have an adverse effect on the coating.

- Avoid using scouring cream or scouring pads, as they may scratch the surface.

# PARTS

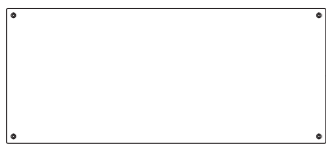
---



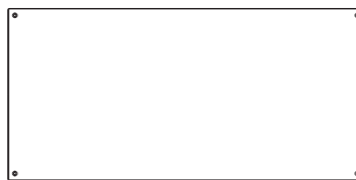
A x 1



D x 1



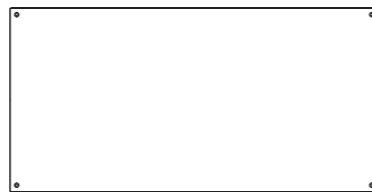
B x 1



E x 1



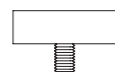
C x 1



F x 1



G x 20



J x 4



H x 40



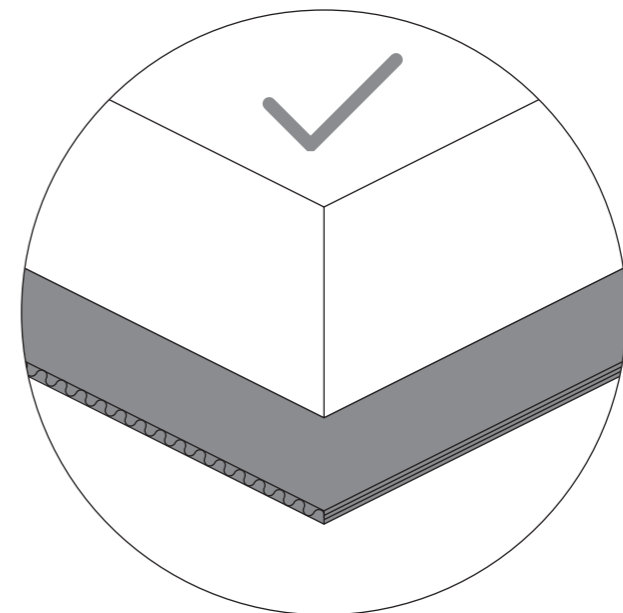
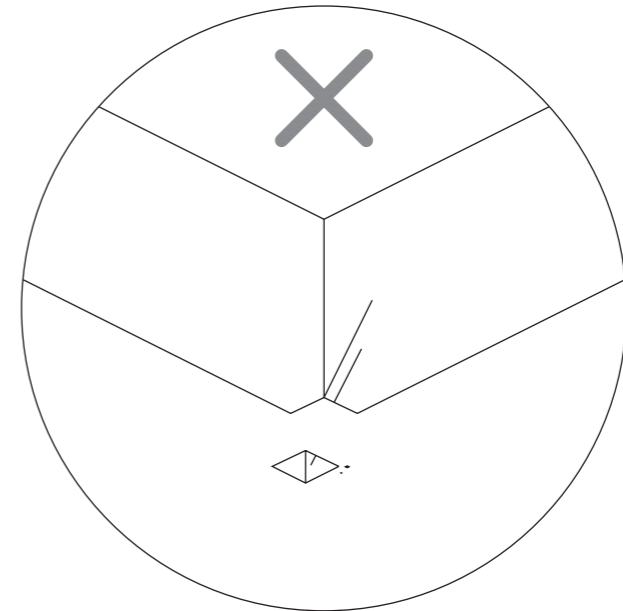
I x 20



K x 1

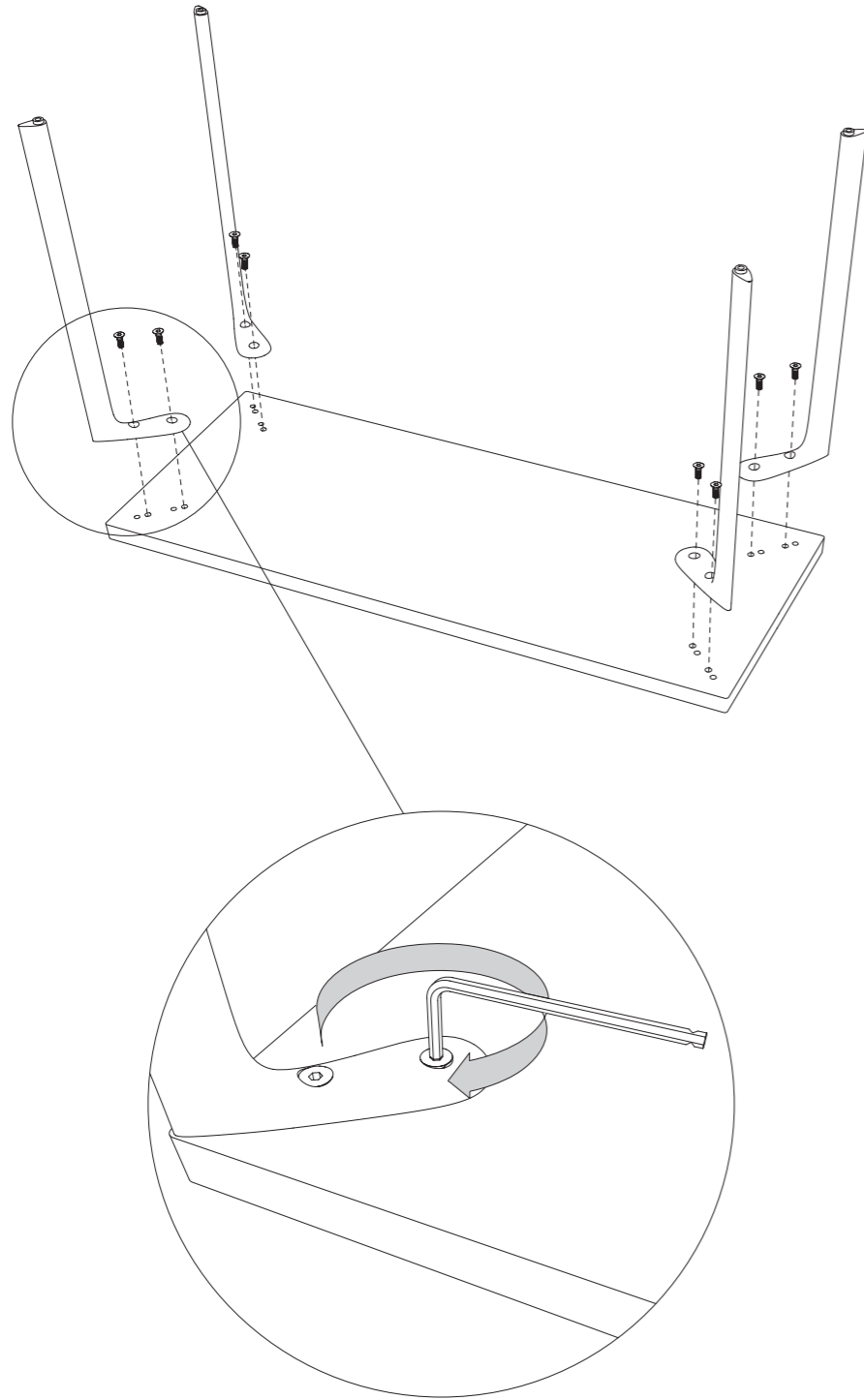
1.

While assembling, keep the parts inside the cardboard box to protect the shelves from scratches etc. Make sure that all parts are included.



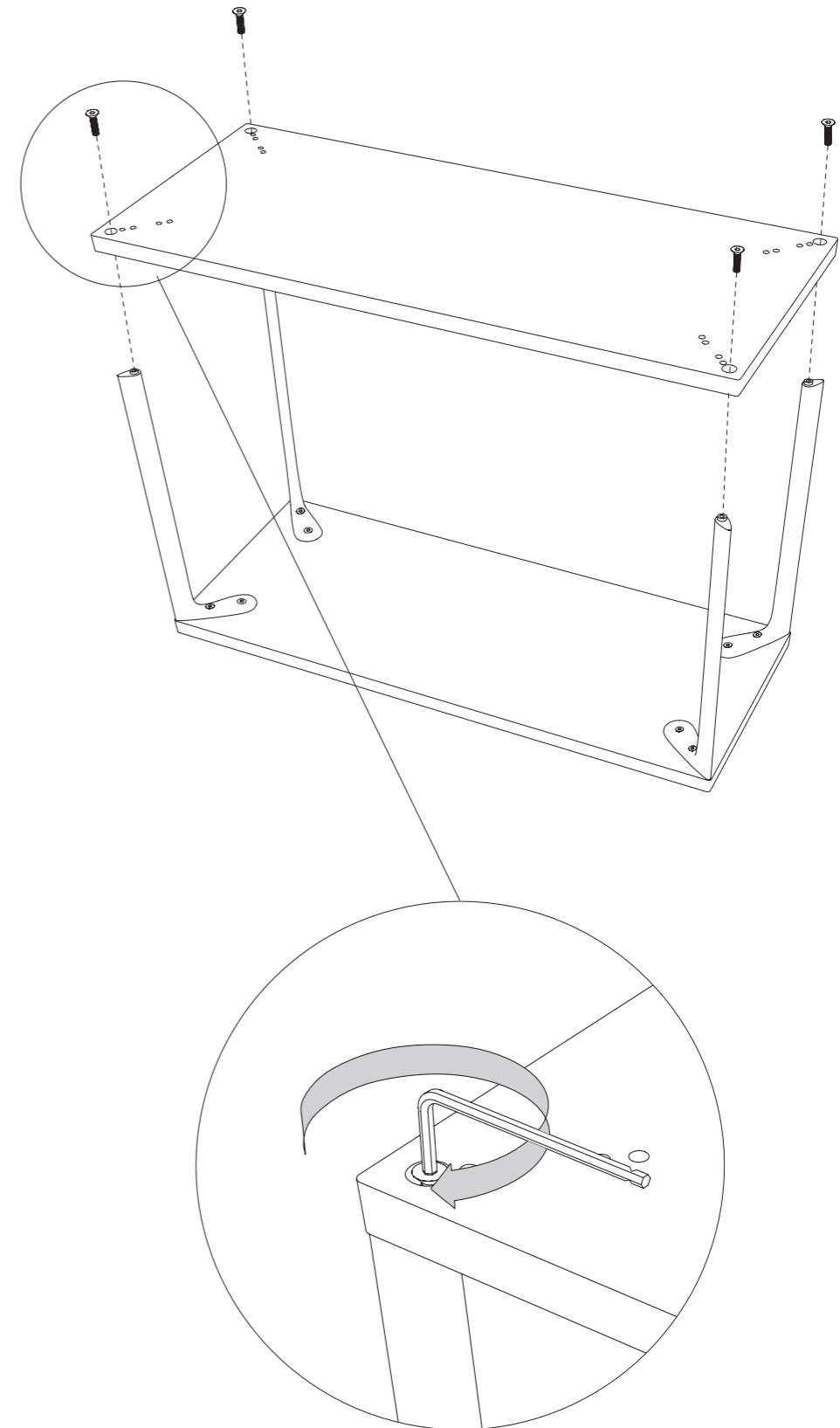
2.

Mount 4 x G parts onto the A part using the H and K parts.



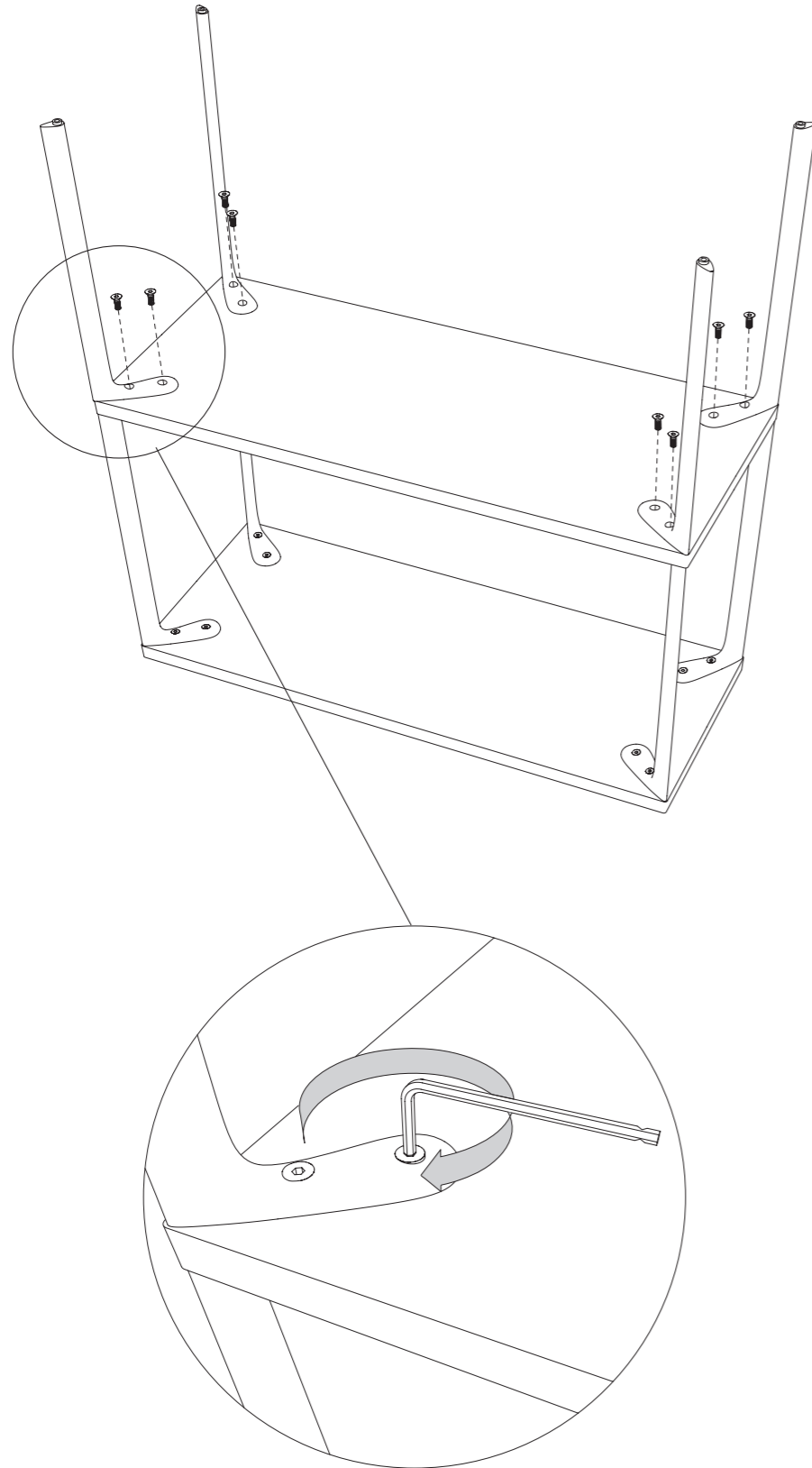
3.

Mount the B part onto the 4 x G parts using the I and K parts.



4.

Mount 4 x G parts onto the B part using the H and K parts.



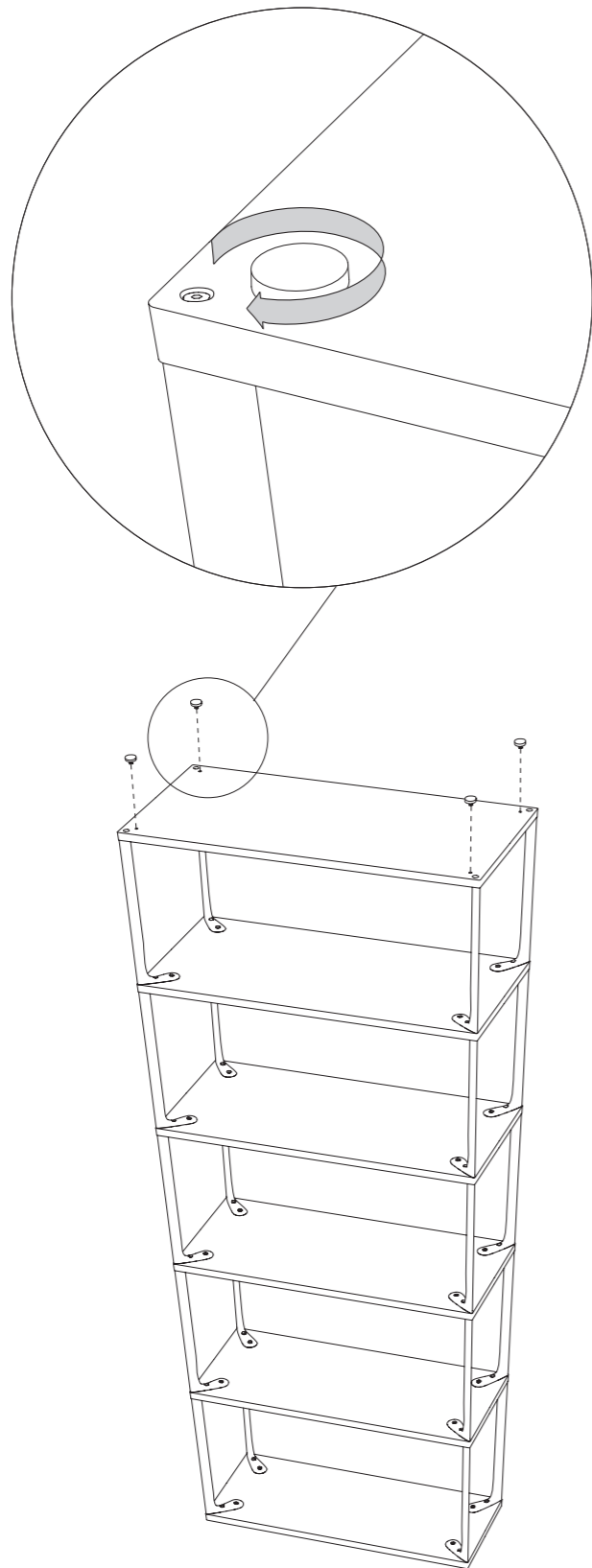
5.

Repeat the last two steps for the C, D, E and F parts.



6.

Mount the J parts onto the F part.

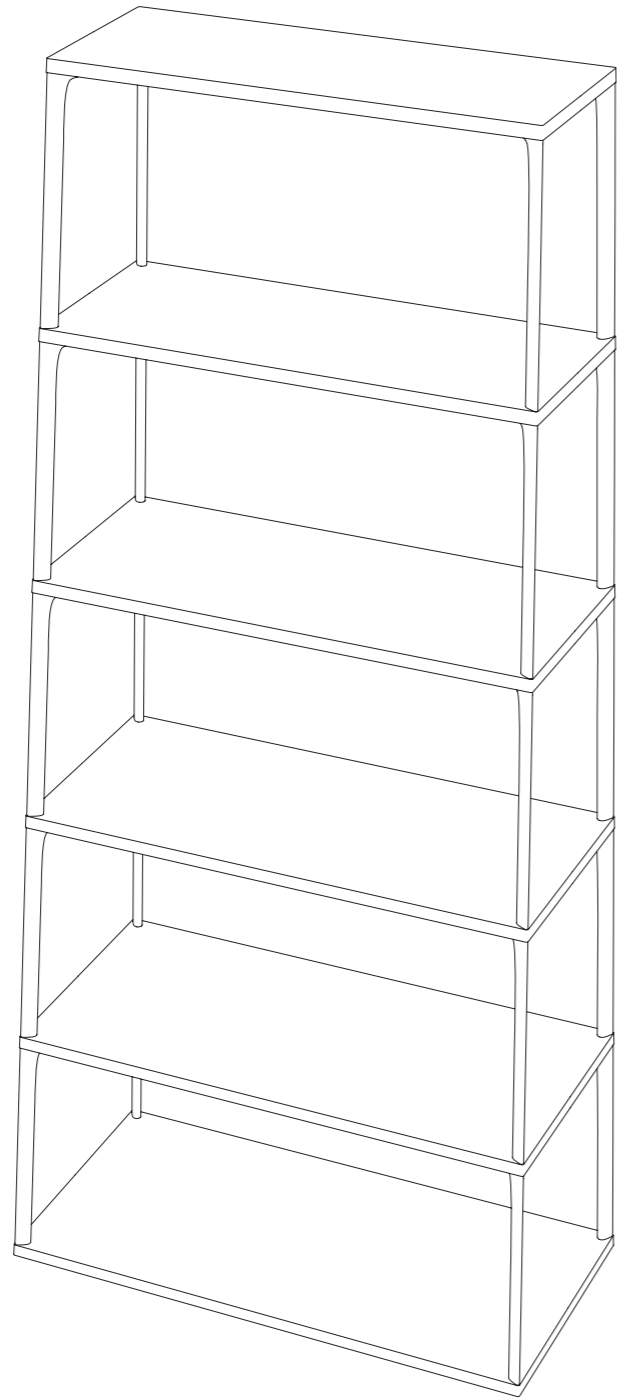


7.

Turn the shelf over (two people are recommended).



8.





Havnen 1 8700 Horsens Denmark  
+45 4282 0282 / hay@hay.dk

**HAY**

ITEM NO. 706385



15012018