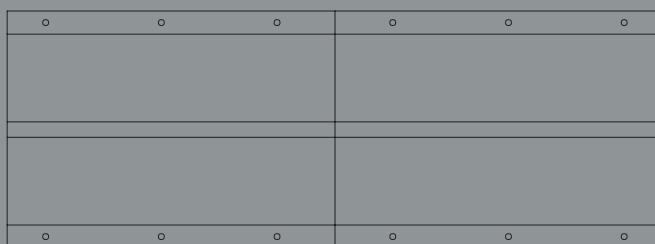


# LOOP STAND SUPPORT



By *Leif Jørgensen*

**HAY**

# OVERVIEW

---

← - - - - 100cm - - - - →

o	o	o	o
o	o	o	o

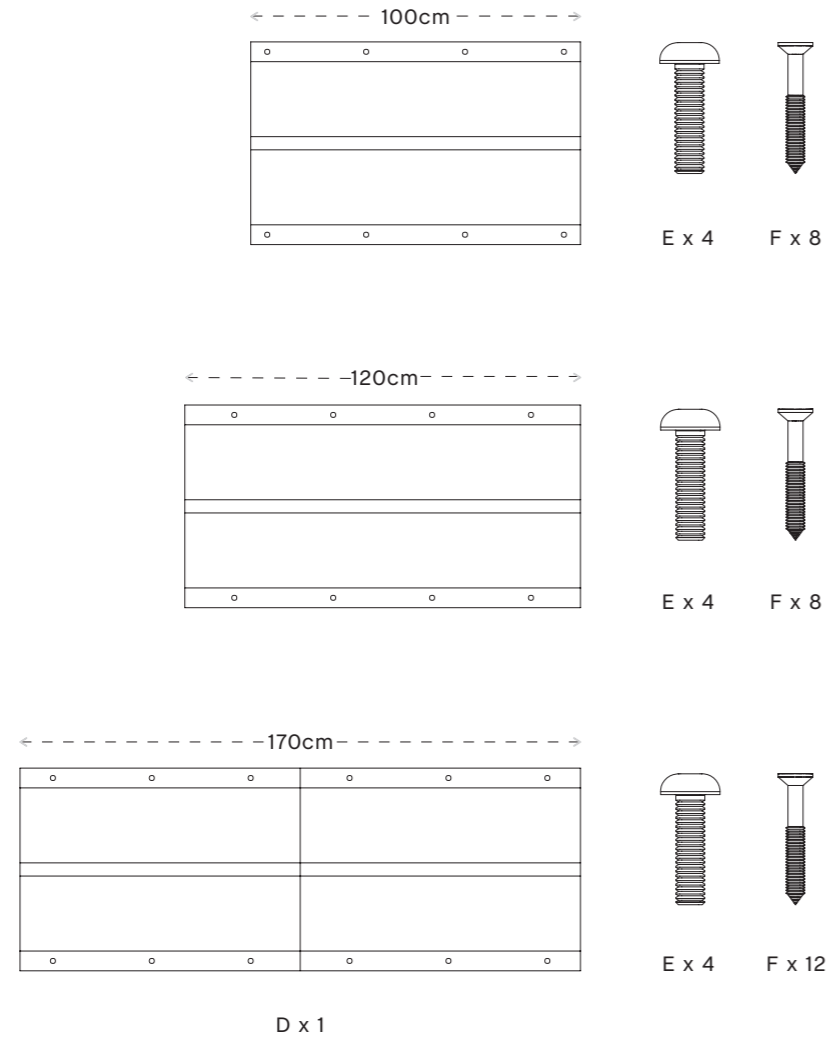
← - - - - 120cm - - - - →

o	o	o	o
o	o	o	o

← - - - - 170cm - - - - →

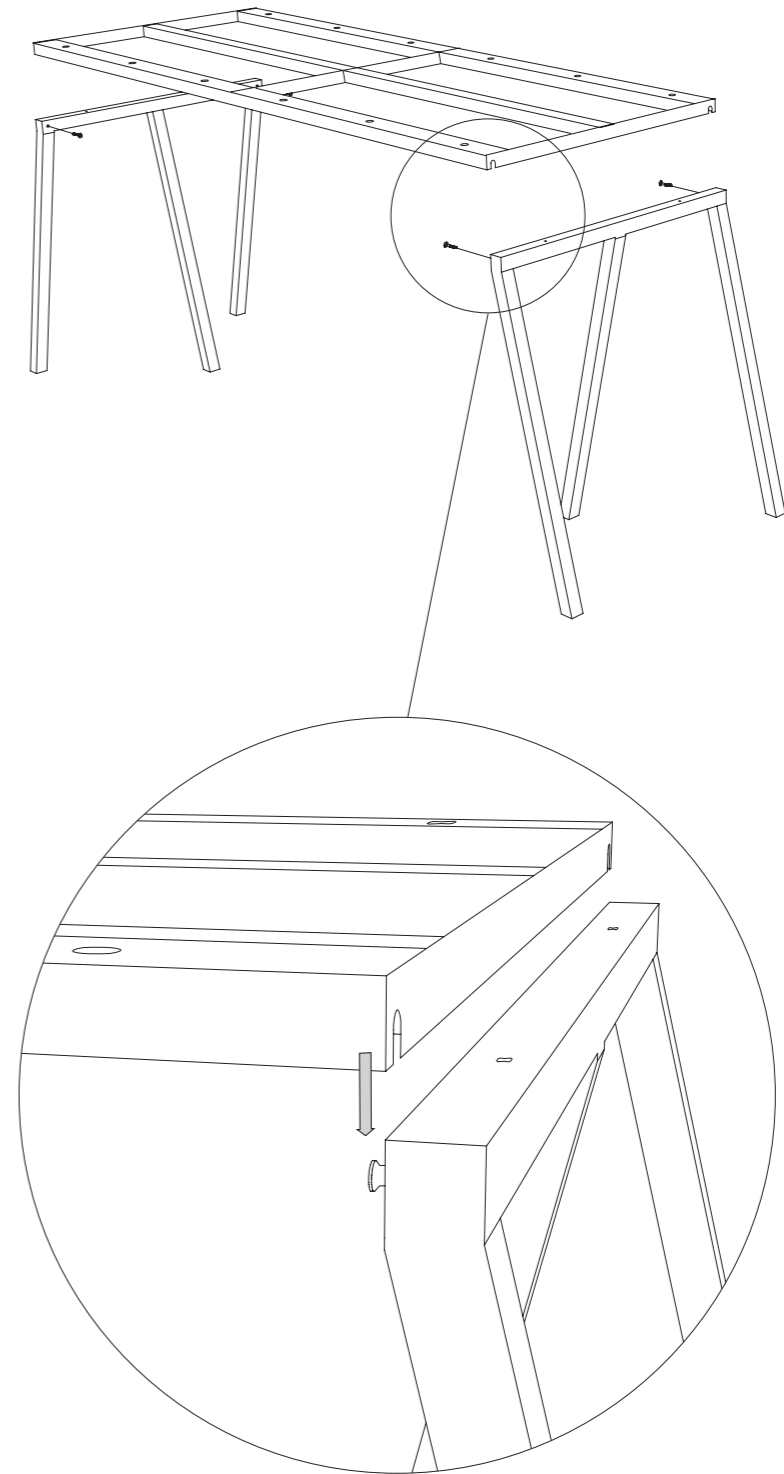
o	o	o	o	o	o
o	o	o	o	o	o

# PARTS



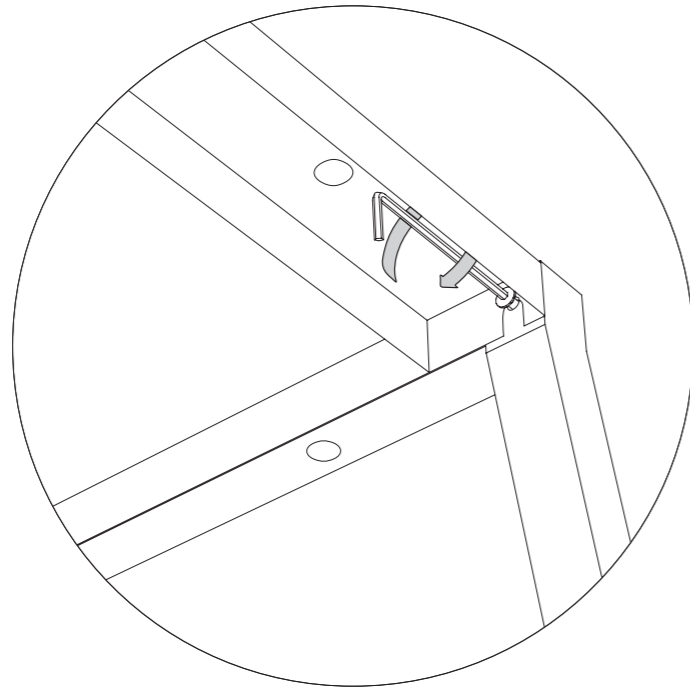
1.

Place the trestles standing upright, and slide in the support (D) using the E parts.  
Do not tighten the E parts completely in order to slide in the support (D).



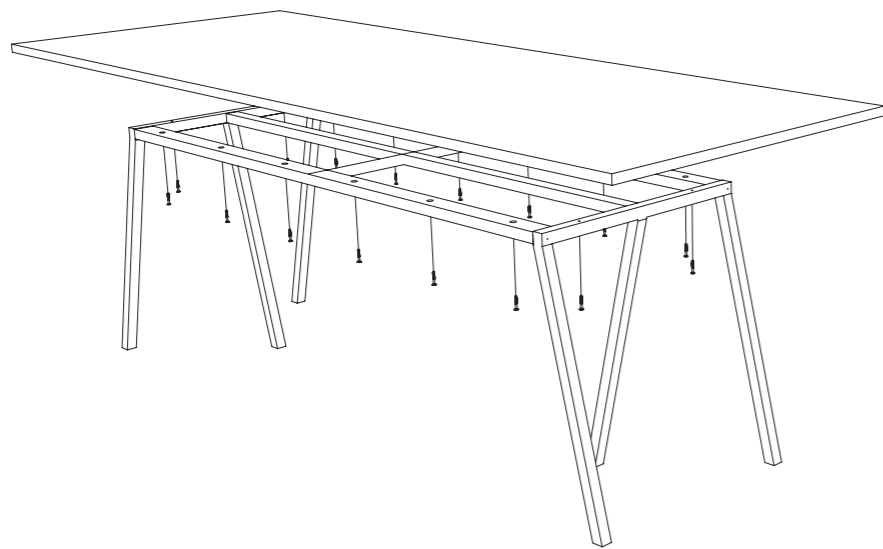
2.

Tighten the E part to secure the support (D) to the trestle.



3.

Screw the support (D) into the tabletop (A) using the F parts.



Havnen 1 8700 Horsens Denmark  
+45 4282 0282 / hay@hay.dk

**HAY**

ITEM NO. 706352



5 710441 245841