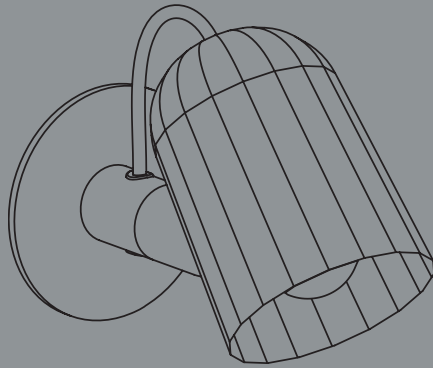


INSTRUCTION MANUAL

NOC WALL



By *SmithMatthias*

HAY

INTRODUCTION

An adaptable die-cast aluminium light with a faceted shade. The machined aluminium stem gives two points of adjustment. Ideal for use in both domestic and commercial environments. The lamp is finished inside and out with a smooth powder coating. Supplied with an LED retrofit bulb and two-metre cable.

TECHNICAL DATA

This product is supplied with an E14 LED Bulb. Replacement bulbs must be the same type as the one supplied with the product.

HAY will not accept any responsibility for any accidents or injuries that occur due to the use of incorrect bulbs.

ATTENTION

In some countries, electrical installations must be carried out by authorised electricians/contractors; please check with your local authority for guidance. The product must not be

modified in any way. HAY accepts no responsibility for any products that have been modified or tampered with.

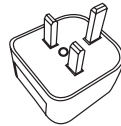
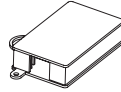
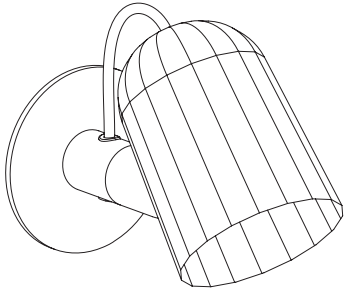
CARE AND MAINTENANCE

The product can be cleaned with a soft damp cloth and mild detergent. Do not use alcohol or any other solvents to clean the product. The external flexible cable or cord of this

luminaire cannot be replaced; if the cord is damaged, the luminaire should be destroyed. Ensure that the power supply has been turned OFF before cleaning the product.

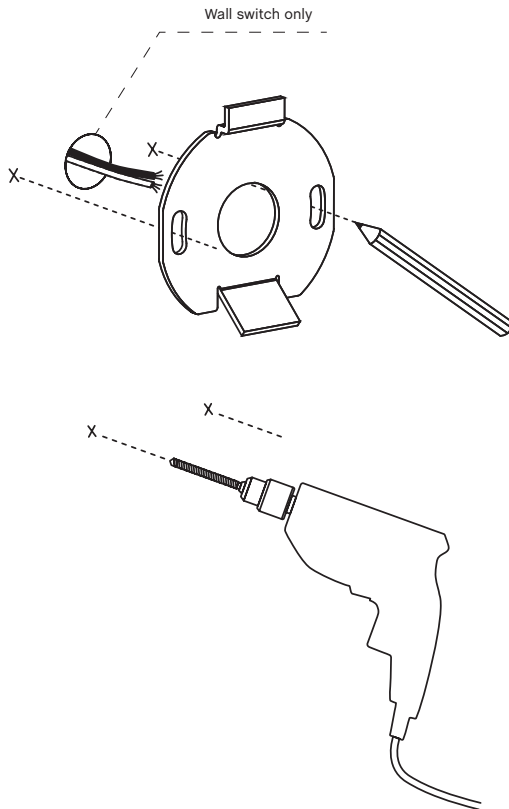


PARTS



1.

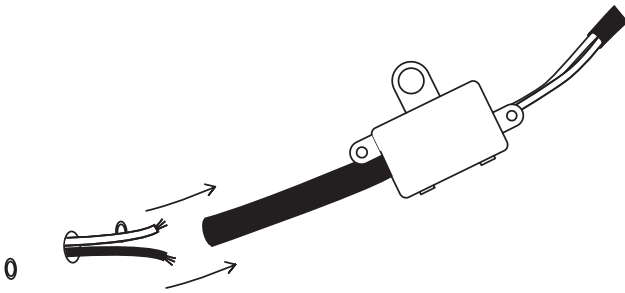
Using the mounting plate as a guide, mark the position of the holes to be drilled (50mm apart). Drill the holes and insert wall plugs. Ensure you use the correct type of wall plug for the material you are drilling into.



2.

Wall switch only

Feed the mains supply cable through the insulating tube into the connector box.

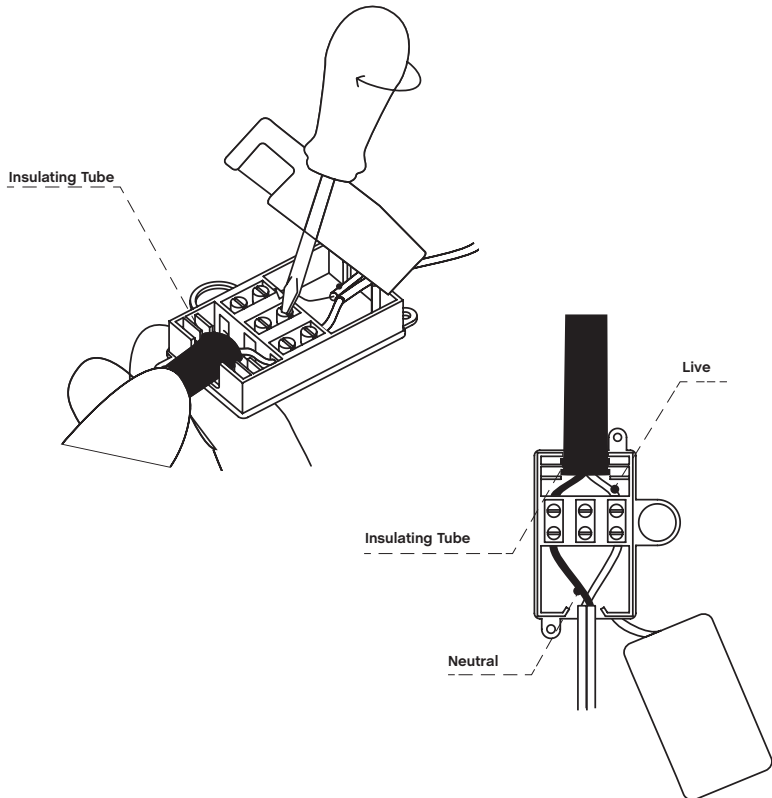


Ensure the power is switched off!

Wall switch only

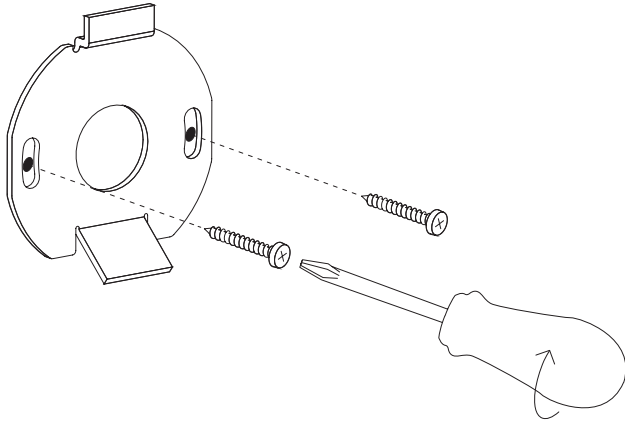
Open the connector box and connect the mains supply cables to the corresponding cables on the light. Close and secure the connector box, making sure that the insulating tube covers the wire supply from the wall.

Please note: It is recommended that a qualified electrician connects the power in this step.



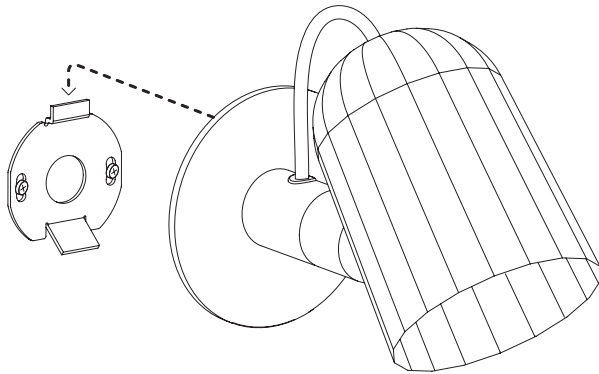
4.

Fix the mounting plate onto the wall using the provided screws.



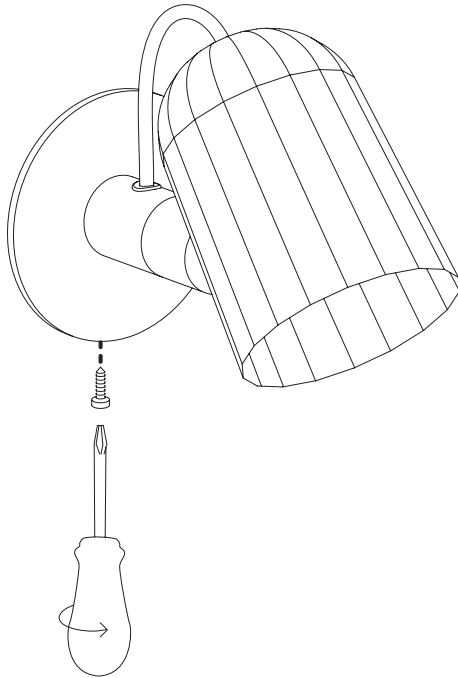
5.

Place the lamp over the mounting plate, ensuring it is properly positioned on the upper tab of the mounting plate.



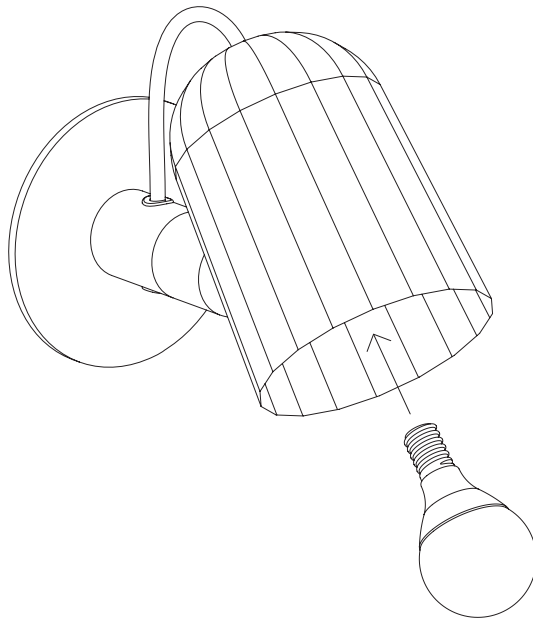
6.

Insert and tighten the screw at the bottom of the wall bracket to secure the lamp in place.



7.

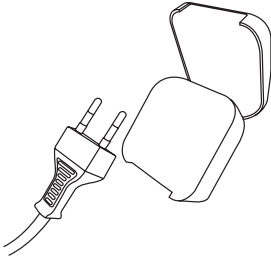
Insert the light bulb.



In-line switch only

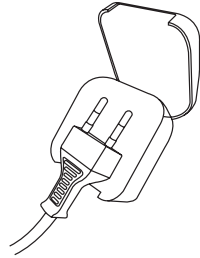
8.

For UK customers, insert the EU plug into the converter provided.



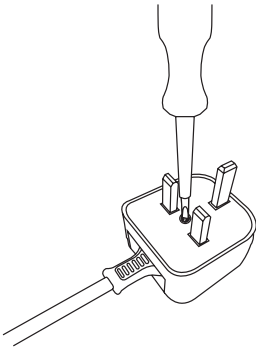
9.

Close the converter over the EU plug, with the pins secured in the internal spring clip contacts.



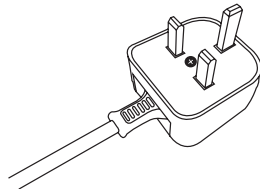
10.

Screw the converter together to ensure the UK plug is secure.



11.

With the UK plug converter assembled, the product is now ready to use.



Havnen 1 8700 Horsens Denmark
+45 4282 0282 / hay@hay.dk

HAY