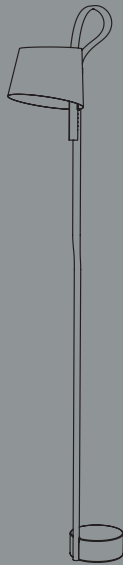


INSTRUCTION MANUAL

ROPE TRICK



By *Stefan Diez*

HAY

INTRODUCTION

A high-quality design that integrates LED technology within a dynamic form. The light comprises a range of modern materials, including an internal plastic skeleton, woven PET and Techflex for the light's arm, moulded ABS for the base, and an aluminium LED module for dissipating heat. The shade can slide along the neck of the light in a flexible way. This allows both up and down diffuse light to be directed to different places in a room, ranging from a low level ambient light to a full brightness.

TECHNICAL DATA

This product is supplied with an integrated LED module (3000k warm white, 965 lumen). The expected lifespan of

the LED module is 25,000 hours. This sealed unit is not replaceable.

ATTENTION

In some countries, electrical installations must be carried out by authorised electricians /contractors; please check with your local authority for guidance.

The product must not be modified in any way. HAY accepts no responsibility for any products that have been modified or tampered with.

CARE AND MAINTENANCE

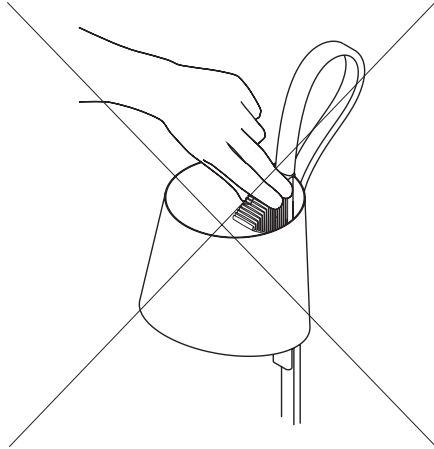
Ensure that the power supply has been turned OFF before cleaning the product. We recommend that you use a microfibre cloth to clean any dust accumulated on the shade. Do not use alcohol or any other solvents to clean the product.

The external flexible cable or cord of this luminaire cannot be replaced; if the cord is damaged, the luminaire shall be destroyed.

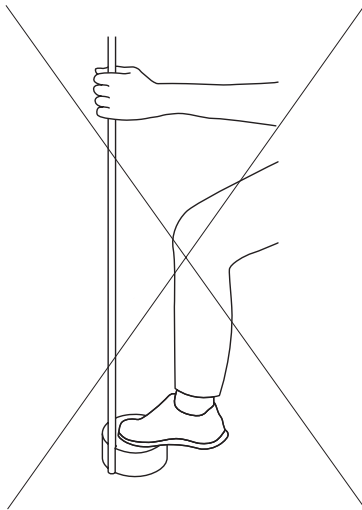


CAUTION

Do not touch the light engine when the light is on, or soon after use. It can get hot when left on for long periods for time.

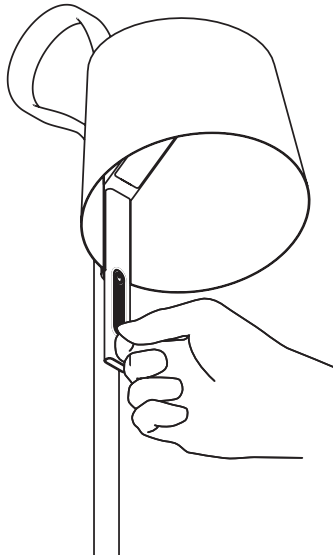


Do not place feet on the base of the light when moving the position of the head as this could damage the lamp.



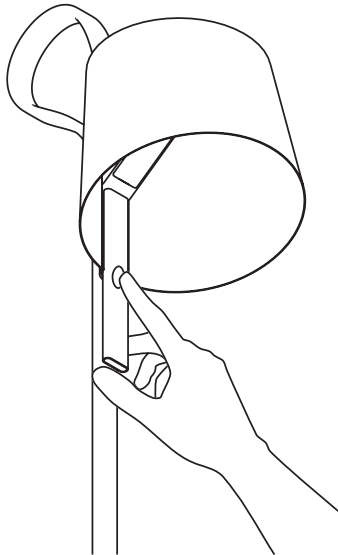
1.

Remove the peelable sticker that highlights the location of the dimmer push button. The button is located where the shade meets the handle, highlighted by a brightly coloured dot underneath the surface of the rope material.



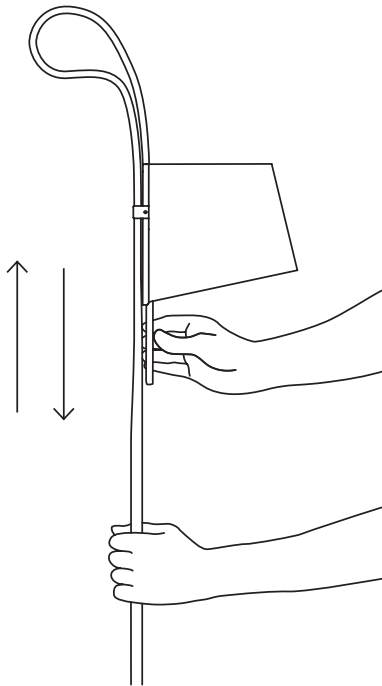
2.

Press the button to switch the light on and off. Press and hold to gradually change the intensity of the light.



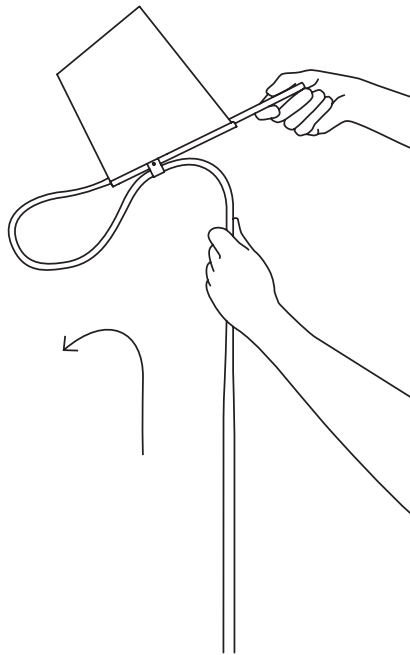
3.

Using one hand to hold the upright and the other on the handle, adjust the height and angle of the head by sliding it around the loop.



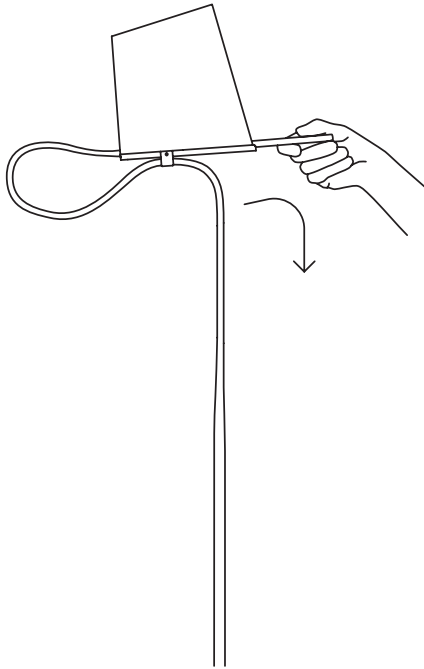
4.

When positioning the head beyond the bend in the rope, hold the upright close to the bend and push the handle gently.



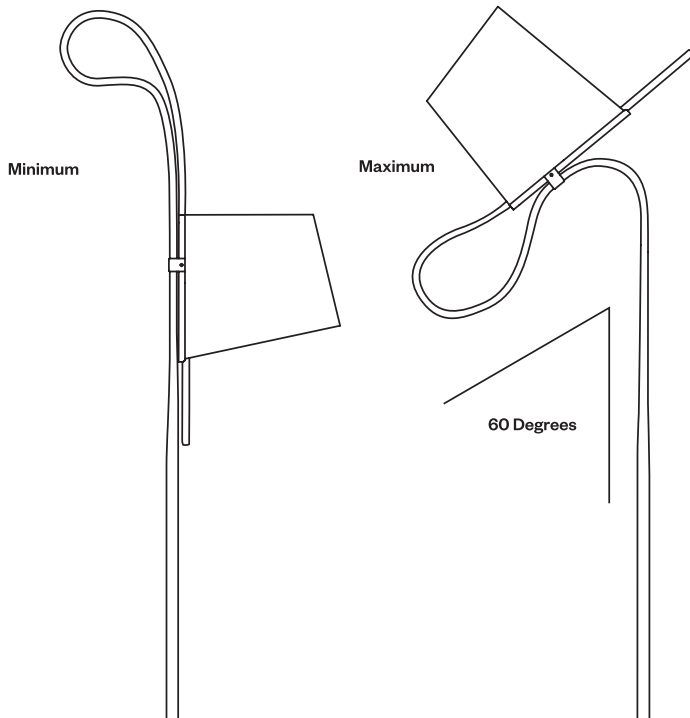
5.

To re-adjust from the up-light position, pull gently on the handle so that the head slides back down the rope.



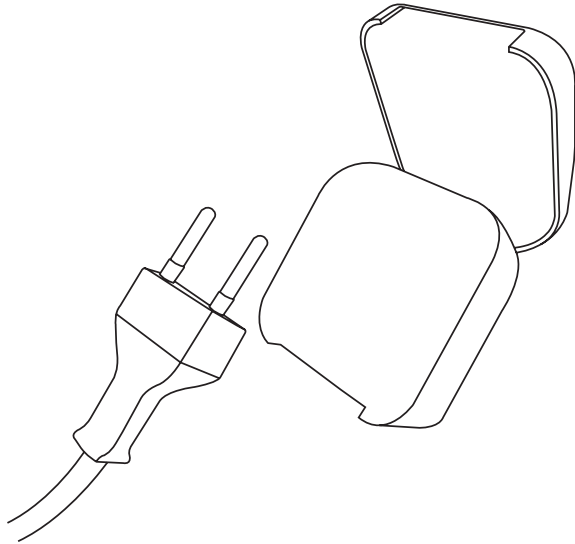
6.

We recommend that you do not extend the head past the minimum and maximum positions shown below (roughly 60 degrees from vertical when sliding back around the loop).



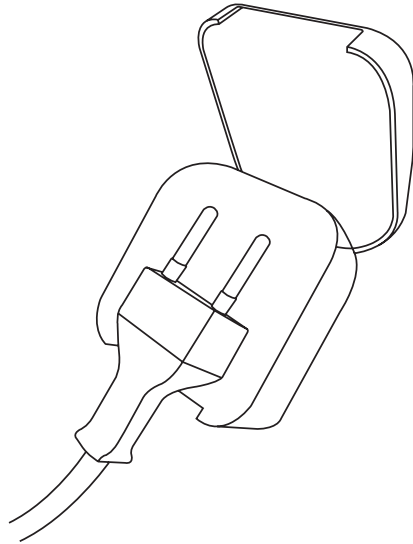
7.

For UK customers, insert the EU plug
into the converter provided.



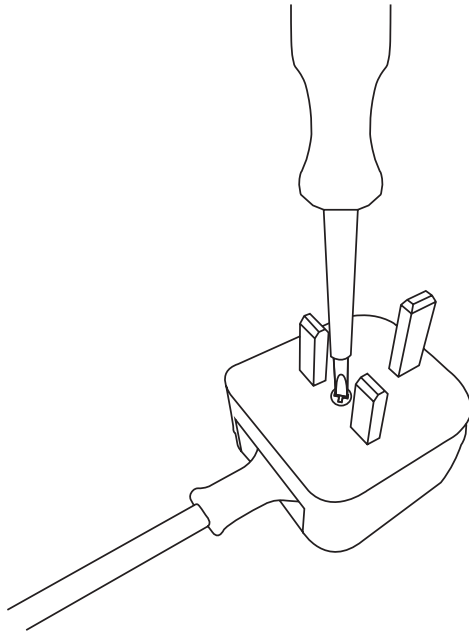
8.

Close the converter over the plug, with the pins secured in the internal clip contacts.



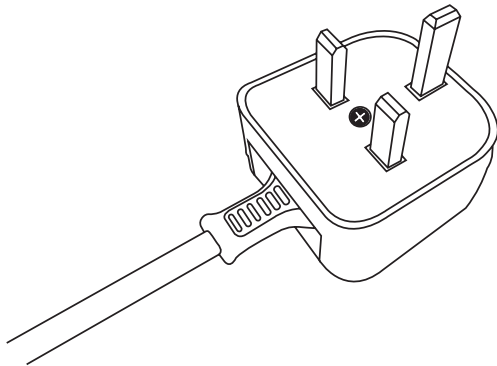
9.

Screw the converter together to ensure
the UK plug is secure.



10.

With the UK plug converter assembled,
the product is now ready to use.



Havnen 1 8700 Horsens Denmark
+45 4282 0282 / hay@hay.dk

HAY