

CLOCHE

DESIGN BY LARS BELLER FJETLAND



Cloche is a table top lamp providing a directional light. Its black powder coated arm and off-set cast iron base creates a visual imbalance, resembling the suspension of a traditional dining cloche. The shade is available in more colours.

PRODUCT DETAILS

- / Part of a progressive and technologically advanced lighting collection.
- / A desktop based lamp both visually poetic yet physically sturdy in design.
- / CE approved.
- / Supplied with a replaceable standard E14 LED bulb with an estimated life span of 25.000 hours of use.
- / Inline on off rocker switch.
- / Suitable for both private and office environments.
- / Qualified for contract use.
- / For indoor use only.

HAY

MATERIAL

LAMP ARM / Aluminium profile, die cast aluminium.

LAMP SHADE / Powder coated / PVD finish on Steel.

LAMP BASE / Sand cast iron.

CORD / Braided fabric with PVC isolation.

Note that the lamp arm, lamp base and the cable are black for all colour options.

COLOUR & FINISH

Please note that the colour codes are indicative.

Available in 2 different colours.

/ Soft black (RAL 9004)

/ Polished brass

COLOUR



SOFT BLACK



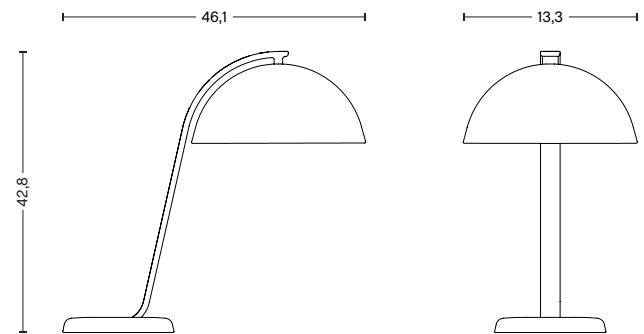
POLISHED BRASS

DIMENSIONS

/ WIDTH 26 cm / 10.24"

/ DEPTH 46,1 cm / 18.1"

/ HEIGHT 42,8 cm / 16.9"



TECHNICAL SPECIFICATIONS

- / LIGHT SOURCE / E14 / LED integrated
- / POWER* (watts) / 5,7W
- / FLUX* (lumens) / 351lm
- / CCT* (kelvin) / 2800k
- / CRI* (1-100) / 85
- / DIMMABLE / No
- / POWER SUPPLY / 220-240V AC at 50-60Hz UK/EU plug mounted adapter
- / CORD LENGTH / 200 cm
- / SWITCH / Toggle switch

*Measurements taken from production luminaire

CERTIFICATIONS

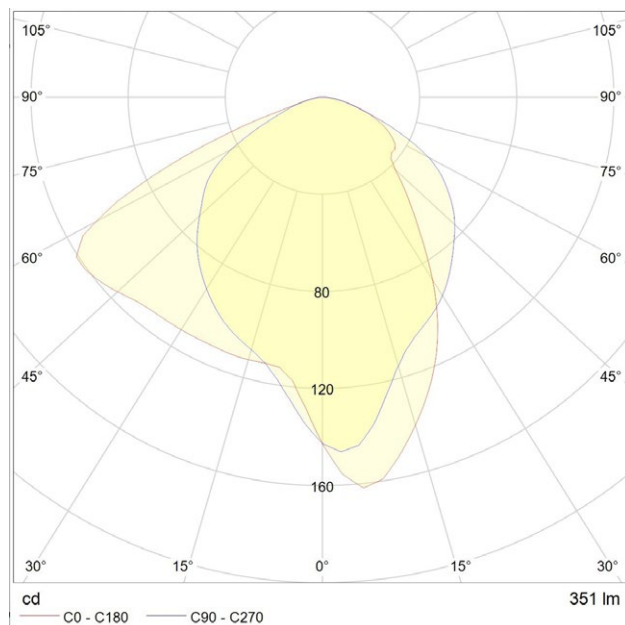
CE approved: This product has been assessed and complies with the essential requirements of the relevant European directives.



Tested according to the following European EN / IEC standards which relate specifically to electrical lighting products including:

- / EN 55015:2013 (radio disturbance)
- / EN 61547:2009 (EMC immunity)
- / EN 61000-3-2:2014 (EMC compatibility)
- / EN 61000-3-3:2013 (EMC compatibility)
- / EN 60598-2-4:1997 (portable luminaires)
- / EN 60598-1:2015 (general requirements)
- / EN 62493:2010 (human exposure to EMC)

PHOTOMETRICS



DOWNLOADS

2D files, 3D files and packshots are available in our imagebank at hay.com.

Care and maintenance instructions and CE attestation of conformity certificates are available at hay.com

An overview of the complete Hay lighting collection and accessories, can be found at hay.dk/en/contract/products/lighting

HAY