

MARSELIS

DESIGN BY KASCHKASCH



Marselis is a family of table and floor lamps, based around a circular disc of light that can swivel and tilt in a number of directions, creating both an indirect ambient and direct task light source. The lamp is made from die cast aluminium and steel, powder coated in a number of a matt colours. The light source is an injection moulded polycarbonate lens which conceals a flat panel of light, creating a balanced and even diffusion of light.

PRODUCT DETAILS

- / Part of a advanced lighting collection.
- / A family of refined table and floor lamps.
- / CE approved.
- / Integrated LED module included with an estimated life span of 25.000 hours of use.
- / Integrated touch dimmer switch.
- / Suitable for both private and office environments.

HAY

MATERIALS

Table and Floor / Die cast aluminium lamp body and upright steel tube both with matt powder coat finish, injection moulded nylon bearings and polycarbonate (PC) translucent diffuser and internal sand cast iron counter weight.

COLOUR & FINISH

Please note that the colour codes are indicative.

Available in 3 different colours.

Soft Black (RAL 9004)

Ash Grey (RAL 7035)

Khaki Green (NCS S 7020-G50Y)

Please note that fixings, bearing details, soft TPE components and the cable are black for all colour options.

COLOUR

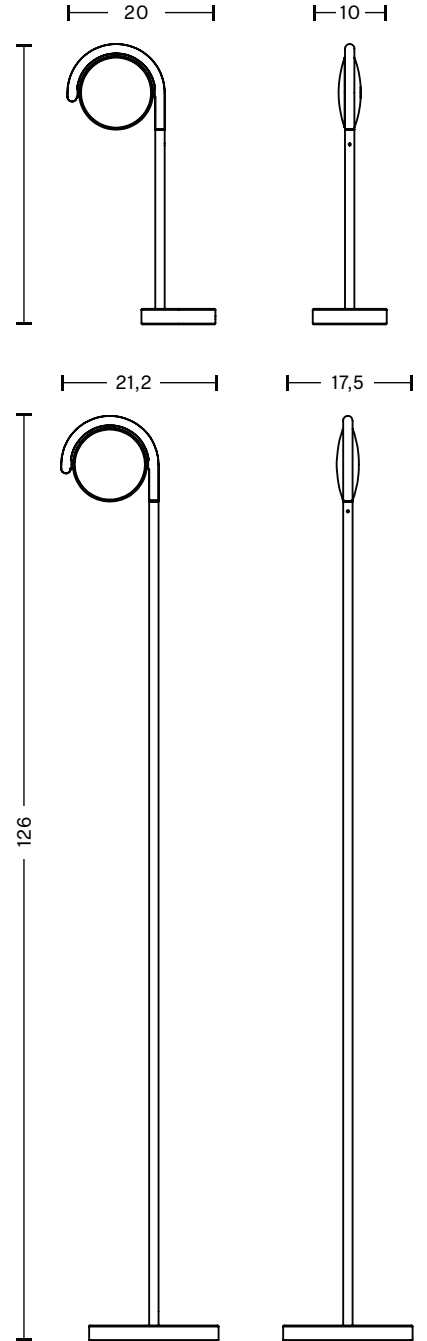


| | BASE | |
|-------------|------------|------------|
| COLOUR | Table lamp | Floor lamp |
| Soft black | • | • |
| Ash grey | • | • |
| Khaki green | • | |

DIMENSIONS

TABLE LAMP
 / WIDTH 10 cm / 3.9"
 / DEPTH 20 cm / 7.9"
 / HEIGHT 38 cm / 15"

FLOOR LAMP
 / WIDTH 17,5 cm / 6.9"
 / DEPTH 21,2 cm / 8.3"
 / HEIGHT 126 cm / 49.6"



TECHNICAL SPECIFICATION

- / LIGHT SOURCE / LED strip (light edge)
- / POWER / 6W
- / FLUX* (LUMENS) / 225lm
- / CCT* (KELVIN) / 2700k
- / CRI (1-100) / 85
- / DIMMABLE / Yes
- / POWER SUPPLY / 220-240V AC at 50-60Hz
mains power plug
- / CORD LENGTH / 200 cm
- / SWITCH / integrated touch step dimmer

CERTIFICATIONS

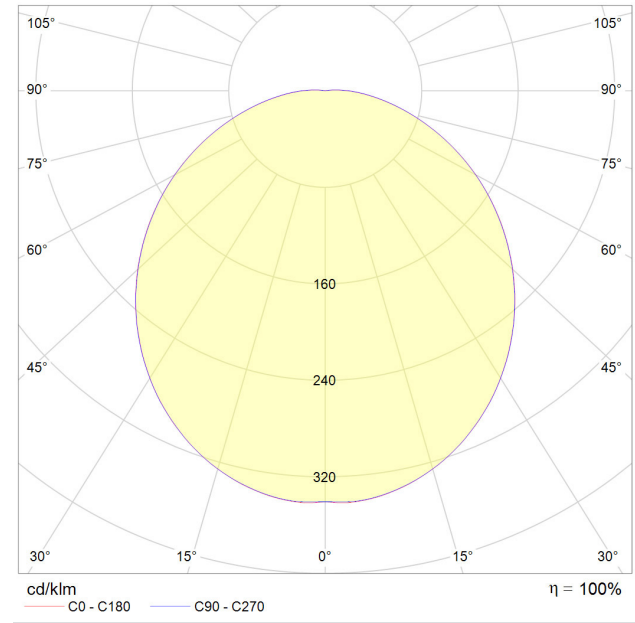
CE approved: This product has been assessed and complies with the essential requirements of the relevant European directives.



Tested according to the following European EN / IEC standards which relate specifically to electrical lighting products including:

- / EN 55015:2013 (radio disturbance)
- / EN 61547:2009 (EMC immunity)
- / EN 61000-3-2:2014 (EMC compatibility)
- / EN 61000-3-3:2013 (EMC compatibility)
- / EN 60598-2-4:1997 (portable luminaires)
- / EN 60598-1:2015 (general requirements)
- / EN 62493:2010 (human exposure to EMC)

PHOTOMETRICS



DOWNLOADS

2D files, 3D files and packshots are available in our imagebank at hay.com.

Care and maintenance instructions and CE attestation of conformity certificates are available at hay.com

An overview of the complete Hay lighting collection and accessories, can be found at hay.dk/en/contract/products/lighting

HAY